

**Kit parafango posteriore in carbonio - 96981171A****Carbon rear mudguard kit - 96981171A****Simbologia**

Per una lettura rapida e razionale sono stati impiegati simboli che evidenziano situazioni di massima attenzione, consigli pratici o semplici informazioni. Prestare molta attenzione al significato dei simboli, in quanto la loro funzione è quella di non dovere ripetere concetti tecnici o avvertenze di sicurezza. Sono da considerare, quindi, dei veri e propri "promemoria". Consultare questa pagina ogni volta che sorgessero dubbi sul loro significato.

**Attenzione**

La non osservanza delle istruzioni riportate può creare una situazione di pericolo e causare gravi lesioni personali e anche la morte.

**Importante**

Indica la possibilità di arrecare danno al veicolo e/o ai suoi componenti se le istruzioni riportate non vengono eseguite.

**Note**

Fornisce utili informazioni sull'operazione in corso.

**Riferimenti**

I particolari evidenziati in grigio e riferimento numerico (Es. ①) rappresentano l'accessorio da installare e gli eventuali componenti di montaggio forniti a kit.

I particolari con riferimento alfabetico (Es. (A)) rappresentano i componenti originali presenti sul motoveicolo.

Tutte le indicazioni destro o sinistro si riferiscono al senso di marcia del motociclo.

**Avvertenze generali****Attenzione**

Le operazioni riportate nelle pagine seguenti devono essere eseguite da un tecnico specializzato o da un'officina autorizzata Ducati.

**Attenzione**

Le operazioni riportate nelle pagine seguenti se non eseguite a regola d'arte possono pregiudicare la sicurezza del pilota.

**Note**

La documentazione necessaria per eseguire il montaggio del Kit è il Manuale Officina relativo al modello di moto in vostro possesso.

**Note**

Nel caso fosse necessaria la sostituzione di un componente del kit consultare la tavola ricambi allegata.

**Symbols**

The symbols used in this manual are aimed at making reading direct and easy. The symbols are used either to draw the reader's attention on potentially hazardous conditions, or to give practical advice or to supply general information. Pay the utmost attention to these symbols as they are used to remind of technical principles or safety measures which will not be repeated extensively. They must therefore be considered as "reminders". Check with this page in case of doubt about their meaning.

**Warning**

Failure to comply with these instructions may put you at risk and lead to severe injury or death.

**Important**

It indicates the possibility of damaging the motorcycle and/or its components if the instructions are not followed.

**Notes**

It supplies useful information about the operation in progress.

**References**

The parts highlighted in grey and with a reference number (e.g. ①) represent the accessory to be installed and any assembly components supplied with the kit.

The parts with alphabetic reference (e.g. (A)) represent the original components present on the motorcycle.

All left and right indications are referred to the motorcycle direction of travel (forward riding position).

**General notes****Warning**

The operations listed in the following pages must be carried out by a specialised technician or by a Ducati authorised service centre.

**Warning**

Carefully perform the operations on the following pages since they might negatively affect rider safety.

**Notes**

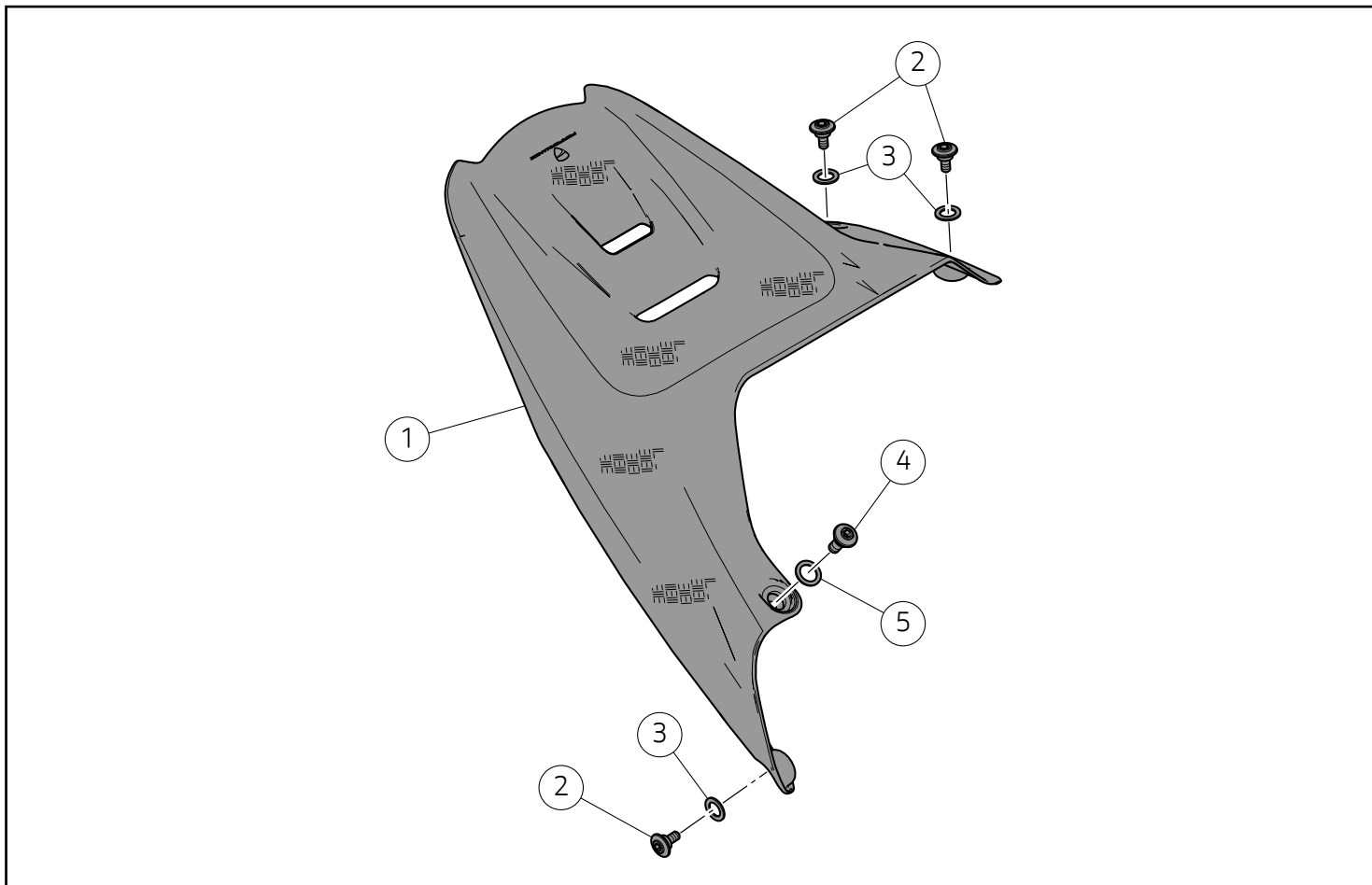
The Workshop Manual of your motorcycle model is the documentation required to assemble the Kit.

**Notes**

Should it be necessary to change any kit parts, please refer to the attached spare part table.

**Warning**

Operating, servicing and maintaining a passenger vehicle or off-highway motor vehicle can expose you to chemicals including engine exhaust, carbon monoxide, phthalates, and lead, which are known to the State of California to cause cancer and birth defects or other reproductive harm. To minimize exposure, avoid breathing exhaust, do not idle the engine except as necessary, service your vehicle in a well-ventilated area and wear gloves or wash your hands frequently when servicing your vehicle. For more information go to [www.P65Warnings.ca.gov/passenger-vehicle](http://www.P65Warnings.ca.gov/passenger-vehicle).



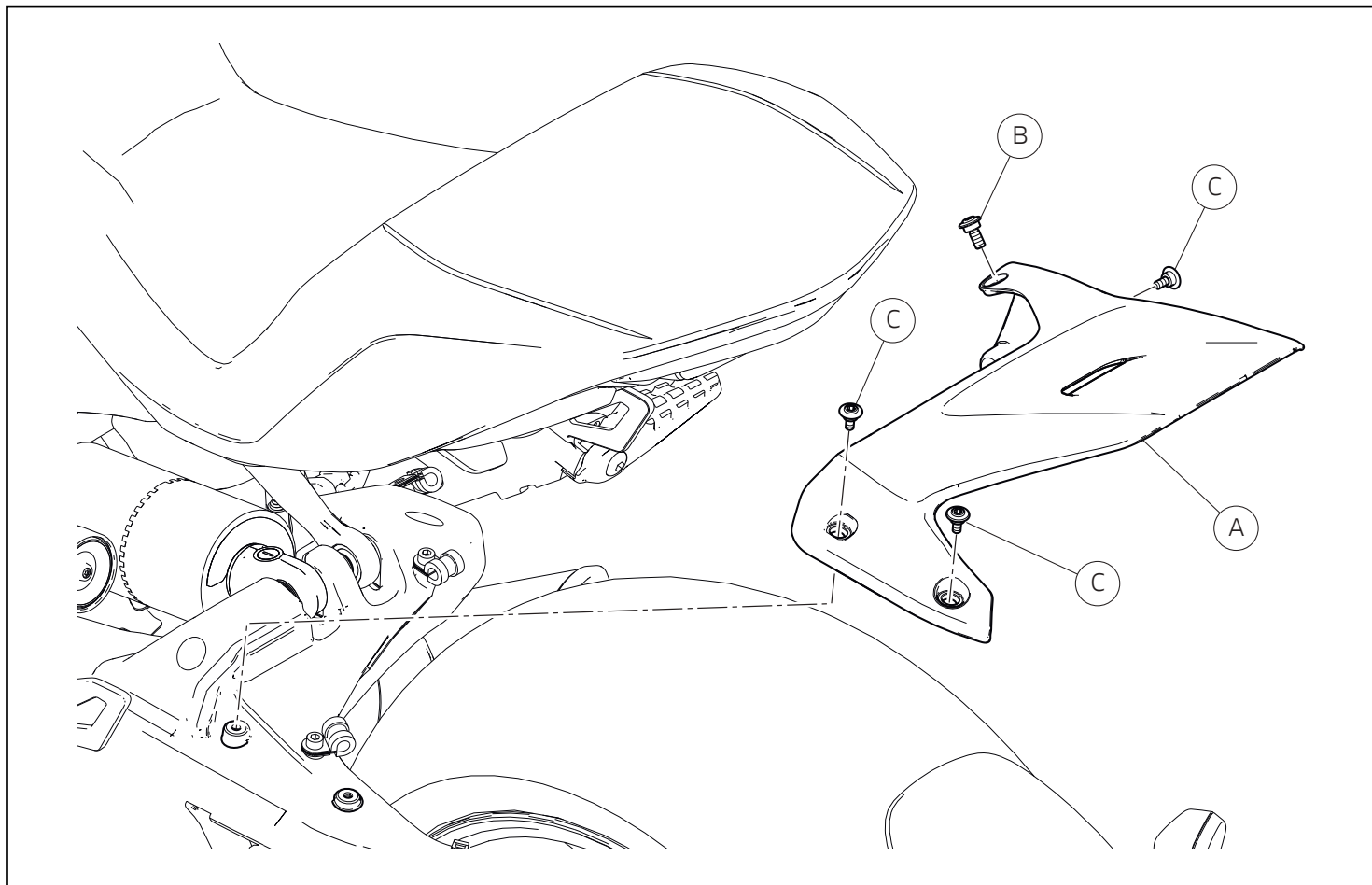
### ● Importante

I componenti del kit possono essere soggetti ad aggiornamenti; consultare il DCS (Dealer Communication System) per avere informazioni sempre aggiornate.

### ● Important

The parts of the kit can be updated; for information always up to date, please refer to DCS (Dealer Communication System).

Pos.	Denominazione	Name
1	Parafango posteriore	Rear mudguard
2	Vite TCEIF M5x9	TCEIF screw M5x9
3	Rosetta in nylon	Nylon washer
4	Vite TCEI M6x12	TCEI screw M6x12
5	Rosetta in nylon	Nylon washer



### Smontaggio componenti originali

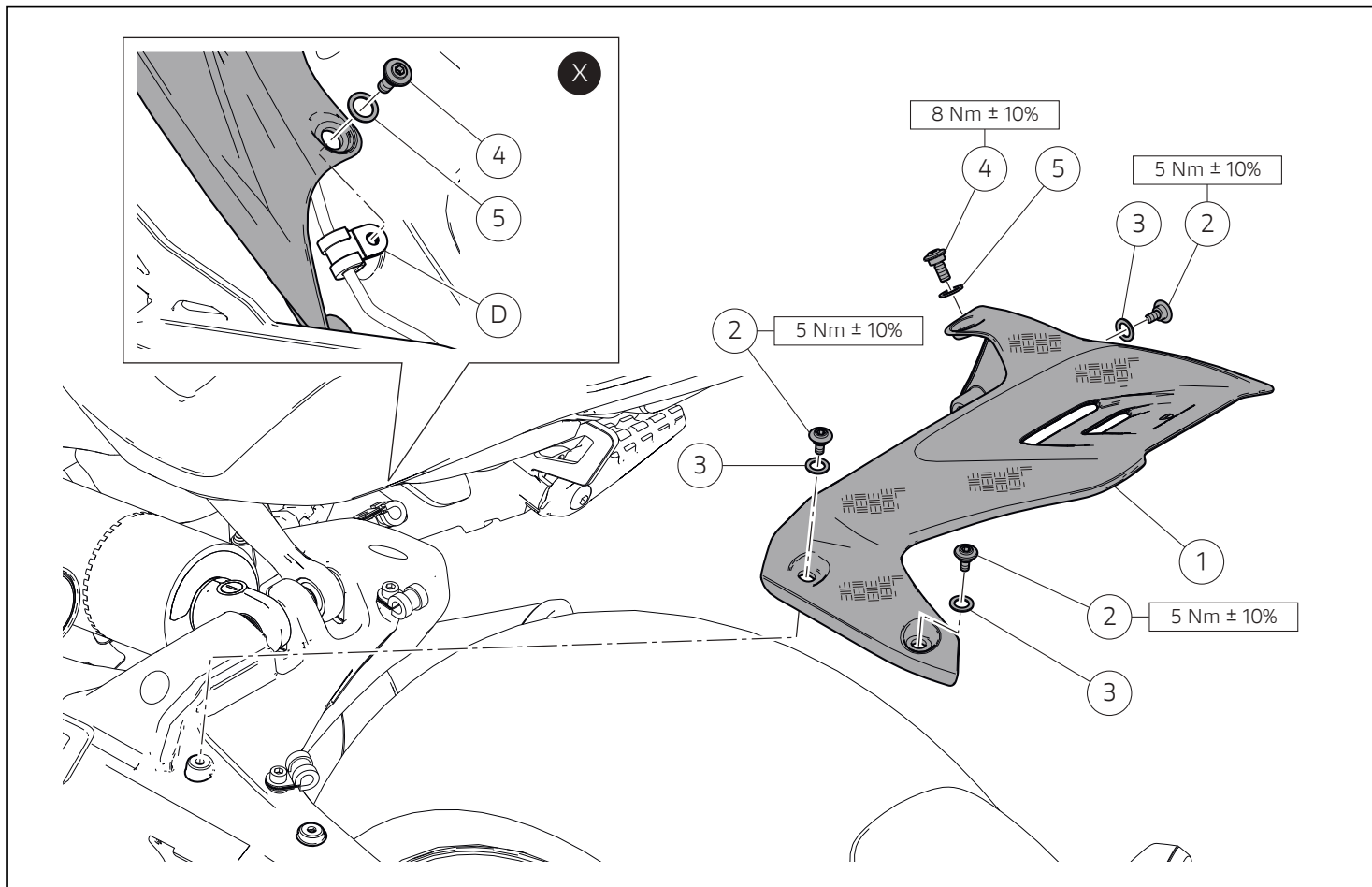
### Removing the original components

#### Smontaggio parafrangente posteriore

#### Rear mudguard disassembly

Svitare le n.3 viti (C), la vite (B) e rimuovere il parafrangente posteriore (A).

Loosen no.3 screws (C), screw (B) and remove rear mudguard (A).



## Montaggio componenti kit

### ● Importante

Verificare, prima del montaggio, che tutti i componenti risultino puliti e in perfetto stato. Adottare tutte le precauzioni necessarie per evitare di danneggiare qualsiasi parte nella quale ci si trova ad operare.

### ⚠ Attenzione

Durante il montaggio di componenti in carbonio porre particolare attenzione al serraggio delle viti di fissaggio. Serrare gli elementi di fissaggio senza forzare eccessivamente per evitare che il carbonio si danneggi.

## Montaggio parafango posteriore

Posizionare il parafango (1) come mostrato in figura. Impuntare le n.3 viti (2) antepoendo ad esse le n.3 rondelle in nylon (3). Impuntare la vite (4) antepoendo la rondella in nylon (5).

### ● Importante

Impuntare la vite (4) prestando attenzione a fissare anche il passacavo (D), al di sotto del parafango, come mostrato nel riquadro (X).

Serrare le n.3 viti (2) e la vite (4) alle coppie indicate.

## Kit part assembly

### ● Important

Before assembling, check that all parts are clean and in good conditions. Adopt all necessary precautions to avoid damaging any part you are working on.

### ⚠ Warning

When fitting carbon components, pay special attention to fastening screw tightening. Tighten the fastening elements without forcing excessively to avoid carbon damage.

## Rear mudguard assembly

Position mudguard (1) as shown in the figure. Start no.3 screws (2) by placing no.3 nylon washers (3) in-between. Start screw (4) by placing nylon washer (5) in-between.

### ● Important

Start screw (4) by making sure to secure also cable ring (D), under mudguard, as shown in the box (X).

Tighten no.3 screws (2) and screw (4) to the specified torque.

Kit garde-boue arrière en carbone - 96981171A

Kit Hinterer Kotflügel aus Kohlefaser - 96981171A

## Symboles

Pour une lecture rapide et rationnelle on a utilisé des symboles de mise en évidence de situations demandant une attention maximale, des conseils pratiques ou de simples informations. Faire très attention à la signification des symboles, car leur fonction vise à ne pas répéter les principes techniques ou les mises en garde de sécurité. Ils doivent être pris en compte en tant que véritables « mémorandum ». Consulter cette page en cas de doutes concernant leur signification.



### Attention

L'inobservation des instructions reportées peut déterminer une situation de danger et causer de graves lésions personnelles, voire même la mort.



### Important

Indique la possibilité d'endommager le motorcycle et/ou ses composants si les instructions reportées ne sont pas effectuées.



### Remarques

Il fournit des informations utiles pour l'opération en cours.

## Références

Les pièces surlignées en gris et la référence numérique (Ex. ①) représentent l'accessoire à installer et les éventuels composants de pose fournis en kit.

Les pièces avec référence alphabétique (Ex. Ⓐ) représentent les composants d'origine présents sur le motorcycle.

Toutes les indications à droite ou à gauche se rapportent au sens de marche du motorcycle.

## Avertissements généraux



### Attention

Les opérations décrites dans les pages suivantes doivent être effectuées par un technicien spécialisé ou par un centre service agréé Ducati.



### Attention

Les opérations indiquées dans les pages suivantes, au cas où elles ne seraient pas effectuées selon les règles de l'art pourraient compromettre la sécurité du pilote.



### Remarques

La documentation nécessaire pour la pose du kit est le Manuel d'Atelier relatif au modèle de moto en votre possession.



### Remarques

Au cas où il serait nécessaire d'effectuer le remplacement d'un composant du kit, il faudra consulter la planche relative aux pièces détachées ci-jointe.

## Symbole

Für ein schnelles und zweckmäßiges Lesen dieser Anleitung wurden Symbole verwendet, die Situationen, die höchste Aufmerksamkeit erfordern sowie praktische Ratschläge oder einfache Informationen hervorzuheben. Achten Sie besonders auf die Bedeutung dieser Symbole, da sie den Zweck haben, technische Konzepte oder Sicherheitswarnhinweise nicht wiederholen zu müssen. Sie sind also als echte und wahrhaftige „Merkzettel“ zu berücksichtigen. Nehmen Sie jedes Mal auf diese Seite Bezug, wenn Sie Zweifel über deren Bedeutung haben.



### Achtung

Die Nichtbeachtung der angegebenen Anweisungen kann zu einer Gefahrensituation führen und schwere persönliche Verletzungen verursachen oder gar zum Tod führen.



### Wichtig

Weist auf eine mögliche Beschädigung des Fahrzeugs und/oder seiner Bestandteile hin, wenn die angegebenen Anweisungen nicht befolgt werden.



### Hinweis

Übermittelt nützliche Informationen zum jeweiligen Verfahren.

## Bezüge

Die grau gekennzeichneten Bestandteile mit numerischem Bezug (Bsp. ①) geben das zu installierende Bestandteil und die eventuellen, im Kit enthaltenen Montagekomponenten wieder.

Die Bestandteile mit alphabetischem Bezug (Bsp. Ⓐ) geben die Original-Bestandteile wieder, die am Motorrad verbaut wurden.

Alle Angaben wie rechts oder links beziehen sich auf die Fahrtrichtung des Motorrads.

## Allgemeine Warnhinweise



### Achtung

Die auf den folgenden Seiten beschriebenen Arbeitsmaßnahmen müssen von einem Fachtechniker oder einer autorisierten Ducati-Werkstatt ausgeführt werden.



### Achtung

Werden die auf den folgenden Seiten beschriebenen Arbeitsmaßnahmen nicht fachgerecht ausgeführt, kann sich dies auf die Sicherheit des Fahrers auswirken.



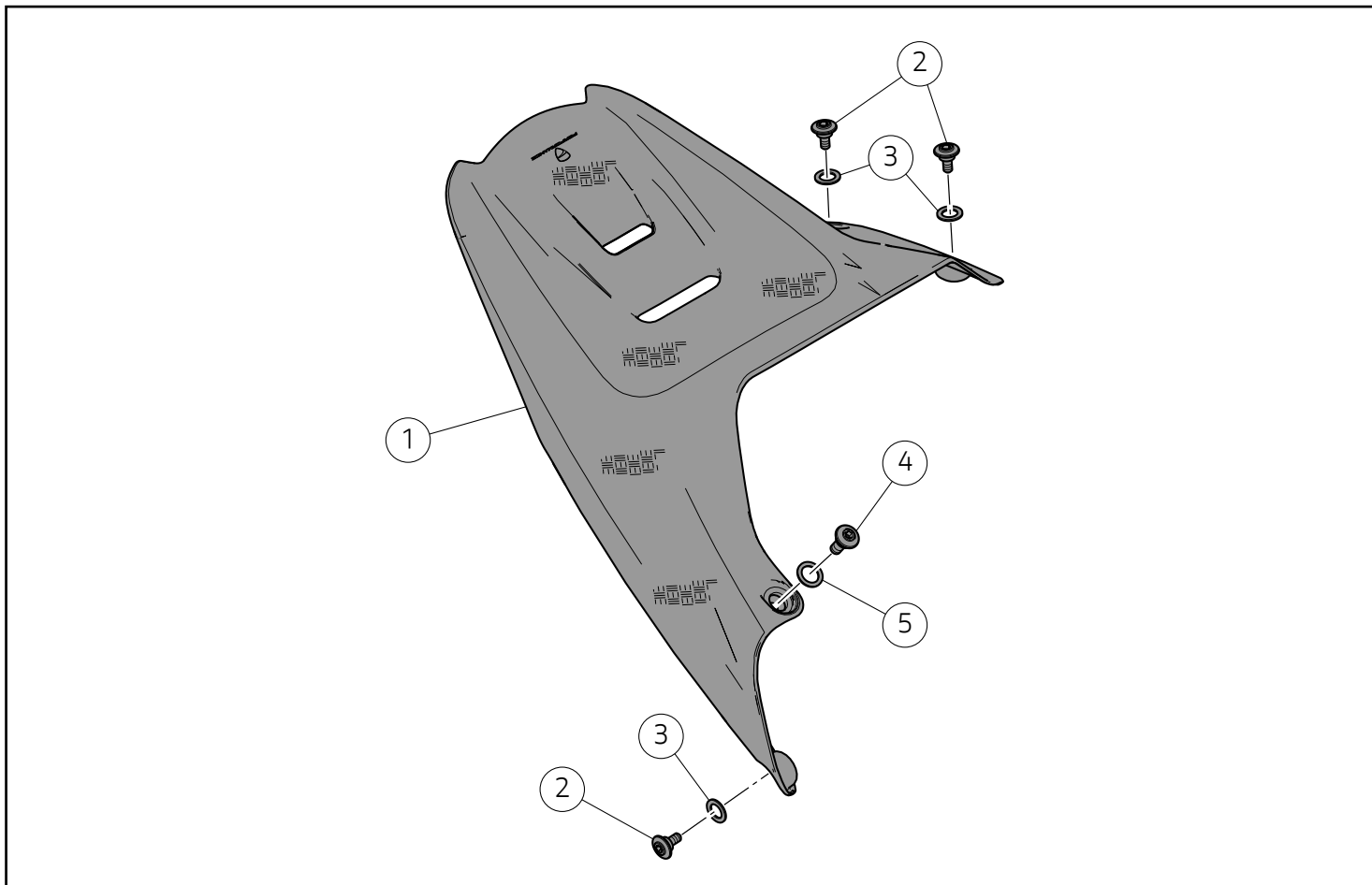
### Hinweis

Die für die Montage des Kits erforderliche Dokumentation ist das Werkstatthandbuch des sich in Ihrem Besitz befindlichen Motorradmodells.



### Hinweis

Sollte sich der Austausch eines Bestandteils des Kits als erforderlich erweisen, ist dazu Bezug auf die beiliegende Ersatzteilliste zu nehmen.



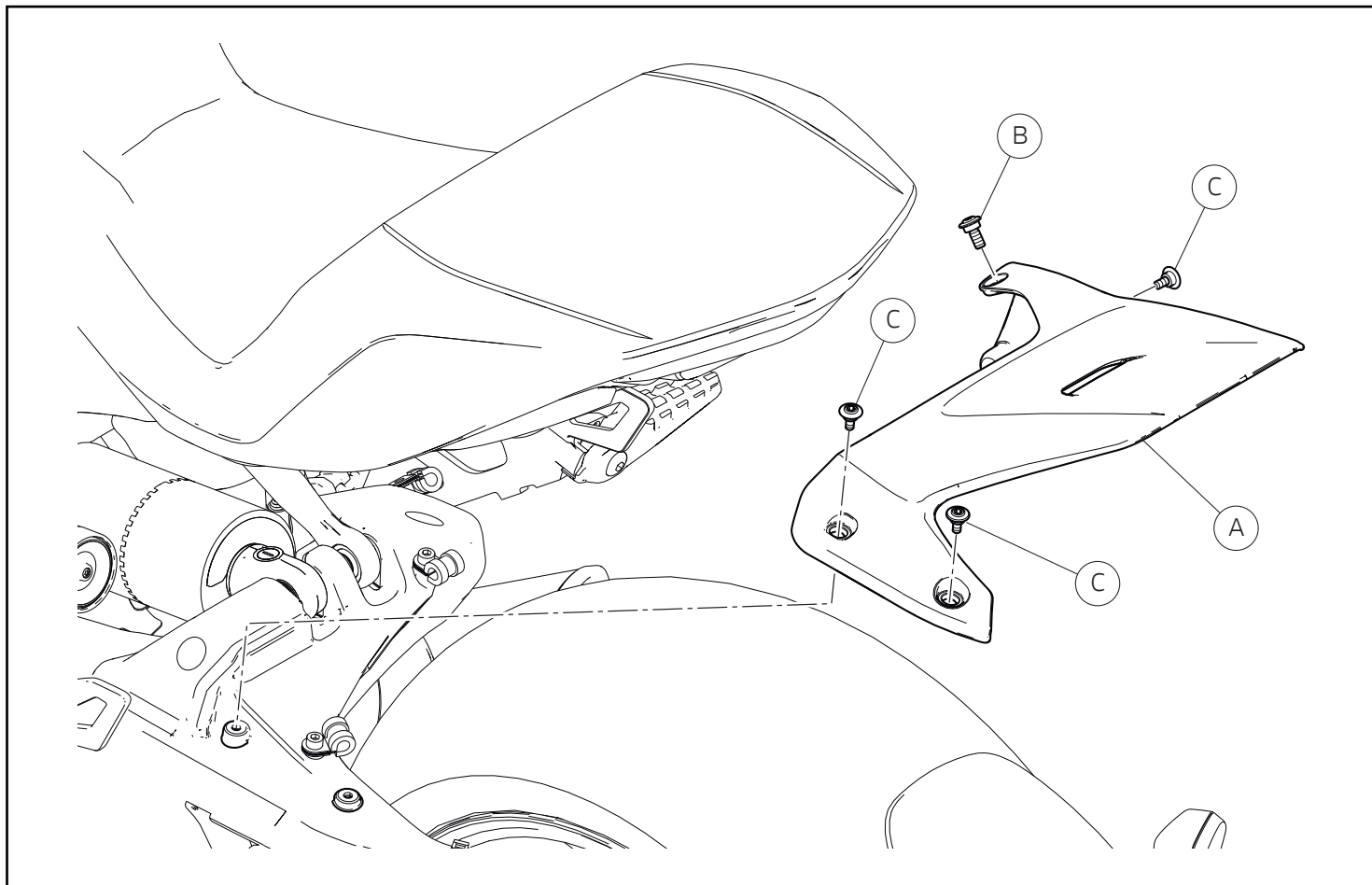
### Important

Les composants du kit peuvent être soumis à des mises à jour ; veuillez consulter le DCS (Dealer Communication System) pour des informations toujours actualisées.

### Wichtig

Die Bestandteile des Kits können Aktualisierungen unterliegen. Lesen Sie stets die Angaben im DCS (Dealer Communication System), um Informationen zur Verfügung stehen zu haben, die immer auf dem aktuellen Stand sind.

Pos.	Dénomination	Bezeichnung
1	Garde-boue arrière	Hinterer Kotflügel
2	Vis TCHCF M5x9	Zylinderschraube mit Innensechskant und Flansch M5x9
3	Rondelle en nylon	Nylon-Unterlegscheibe
4	Vis TCHC M6x12	Zylinderschraube mit Innensechskant M6x12
5	Rondelle en nylon	Nylon-Unterlegscheibe



### Dépose des composants d'origine

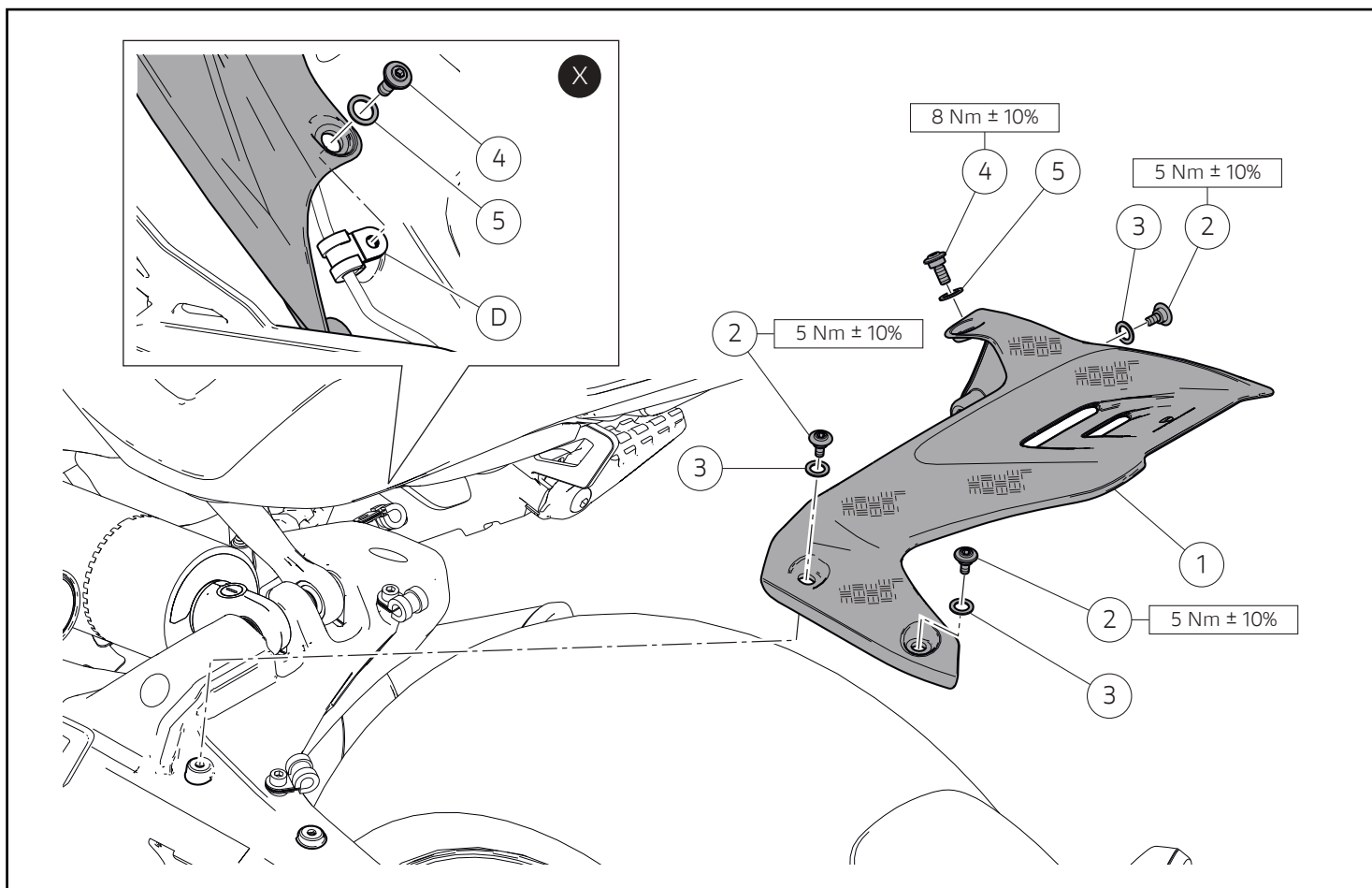
#### Dépose du garde-boue arrière

Desserrer les 3 vis(C), la vis (B) et déposer le garde-boue arrière (A).

### Ausbau der Original-Bestandteile

#### Abnahme des hinteren Kotflügels

Die 3 Schrauben (C) und die Schraube (B) lösen, dann den hinteren Kotflügel (A) abnehmen.



## Pose des composants kit

### ● Important

Avant la pose, vérifier que tous les composants sont propres et en bon état. Prendre toutes les précautions nécessaires pour éviter d'endommager toute partie dans laquelle on intervient.

### ⚠ Attention

Pendant la repose des composants en carbone, faire très attention au serrage des vis de fixation. Serrer les éléments de fixation sans forcer excessivement pour éviter que le carbone puisse s'abîmer.

## Pose du garde-boue arrière

Positionner le garde-boue (1) comme la figure le montre. Présenter les 3 vis (2) précédées des 3 rondelles en nylon (3). Présenter la vis (4) précédée de la rondelle en nylon (5).

### ● Important

Présenter la vis (4) en veillant à fixer également le passe-fil (D) au-dessous du garde-boue, comme l'encadré (X) le montre.

Serrer les 3 vis (2) et la vis (4) aux couples prescrits.

## Montage der Bestandteile des Kits

### ● Wichtig

Vor der Montage überprüfen, dass alle Bestandteile sauber sind und sich im perfekten Zustand befinden. Alle erforderlichen Vorichtsmaßnahmen treffen, um eine Beschädigung des jeweiligen Bereichs, in den man arbeitet, zu vermeiden.

### ⚠ Achtung

Bei der Montage von Kohlefaserteilen ist beim Anzug der Befestigungsschrauben mit besonderer Vorsicht vorzugehen. Die Befestigungskomponenten sind ohne übermäßiger Kraft anzuziehen, damit die Kohlefaser nicht beschädigt wird.

## Montage des hinteren Kotflügels

Den Kotflügel (1) wie abgebildet anordnen. Die 3 Schrauben (2) mit den davor angefügten 3 Nylon-Unterlegscheiben (3) ansetzen. Die Schraube (4) mit der davor angefügten Nylon-Unterlegscheiben (5) ansetzen.

### ● Wichtig

Die Schraube (4) ansetzen und dabei darauf achten, die Kabelführung (D), wie im Detailausschnitt (X) dargestellt, unter dem Kotflügel zu fixieren.

Die 3 Schrauben (2) und die Schraube (4) mit den angegebenen Anzugsmomenten anziehen.



## Kit do guarda-lamas traseiro em carbono - 96981171A

## Carbon rear mudguard kit - 96981171A

**Símbolos**

Para uma leitura rápida e racional foram empregues símbolos que evidenciam situações de máxima atenção, conselhos práticos ou simples informações. Preste muita atenção ao significado dos símbolos, porque a sua função é não ter de repetir conceitos técnicos ou avisos de segurança. Portanto, devem ser considerados como verdadeiros "lembretes". Consulte esta página sempre que surgirem dúvidas sobre o seu significado.

**Atenção**

O não cumprimento das instruções fornecidas pode criar uma situação de perigo e causar graves lesões pessoais e até mesmo a morte.

**Importante**

Indica a possibilidade de provocar danos no veículo e/ou aos seus componentes se as instruções fornecidas não forem executadas.

**Notas**

Fornecer informações úteis sobre a operação em andamento.

**Referências**

As peças evidenciadas a cinzento e a referência numérica (Ex. ①) representam o acessório a instalar e os eventuais componentes de montagem fornecidos no conjunto.

As peças com referência alfabética (Ex. Ⓐ) representam os componentes originais presentes na moto.

Todas as indicações direito ou esquerdo referem-se ao sentido de avanço da moto.

**Advertências gerais****Atenção**

As operações mostradas nas páginas a seguir devem ser executadas por um técnico especializado ou por uma oficina autorizada Ducati.

**Atenção**

As operações mostradas nas páginas a seguir, se não forem executadas com boa técnica, podem prejudicar a segurança do condutor.

**Notas**

A documentação necessária para executar a montagem do Conjunto é o Manual de Oficina relativo ao modelo de moto em sua posse.

**Notas**

Caso seja necessária a substituição de um componente do conjunto, consulte o quadro de peças de reposição em anexo.

**Symbols**

The symbols used in this manual are aimed at making reading direct and easy. The symbols are used either to draw the reader's attention on potentially hazardous conditions, or to give practical advice or to supply general information. Pay the utmost attention to these symbols as they are used to remind of technical principles or safety measures which will not be repeated extensively. They must therefore be considered as "reminders". Check with this page in case of doubt about their meaning.

**Warning**

Failure to comply with these instructions may put you at risk and lead to severe injury or death.

**Important**

It indicates the possibility of damaging the motorcycle and/or its components if the instructions are not followed.

**Notes**

It supplies useful information about the operation in progress.

**References**

The parts highlighted in grey and with a reference number (e.g. ①) represent the accessory to be installed and any assembly components supplied with the kit.

The parts with alphabetic reference (e.g. Ⓐ) represent the original components present on the motorcycle.

All left and right indications are referred to the motorcycle direction of travel (forward riding position).

**General notes****Warning**

The operations listed in the following pages must be carried out by a specialised technician or by a Ducati authorised service centre.

**Warning**

Carefully perform the operations on the following pages since they might negatively affect rider safety.

**Notes**

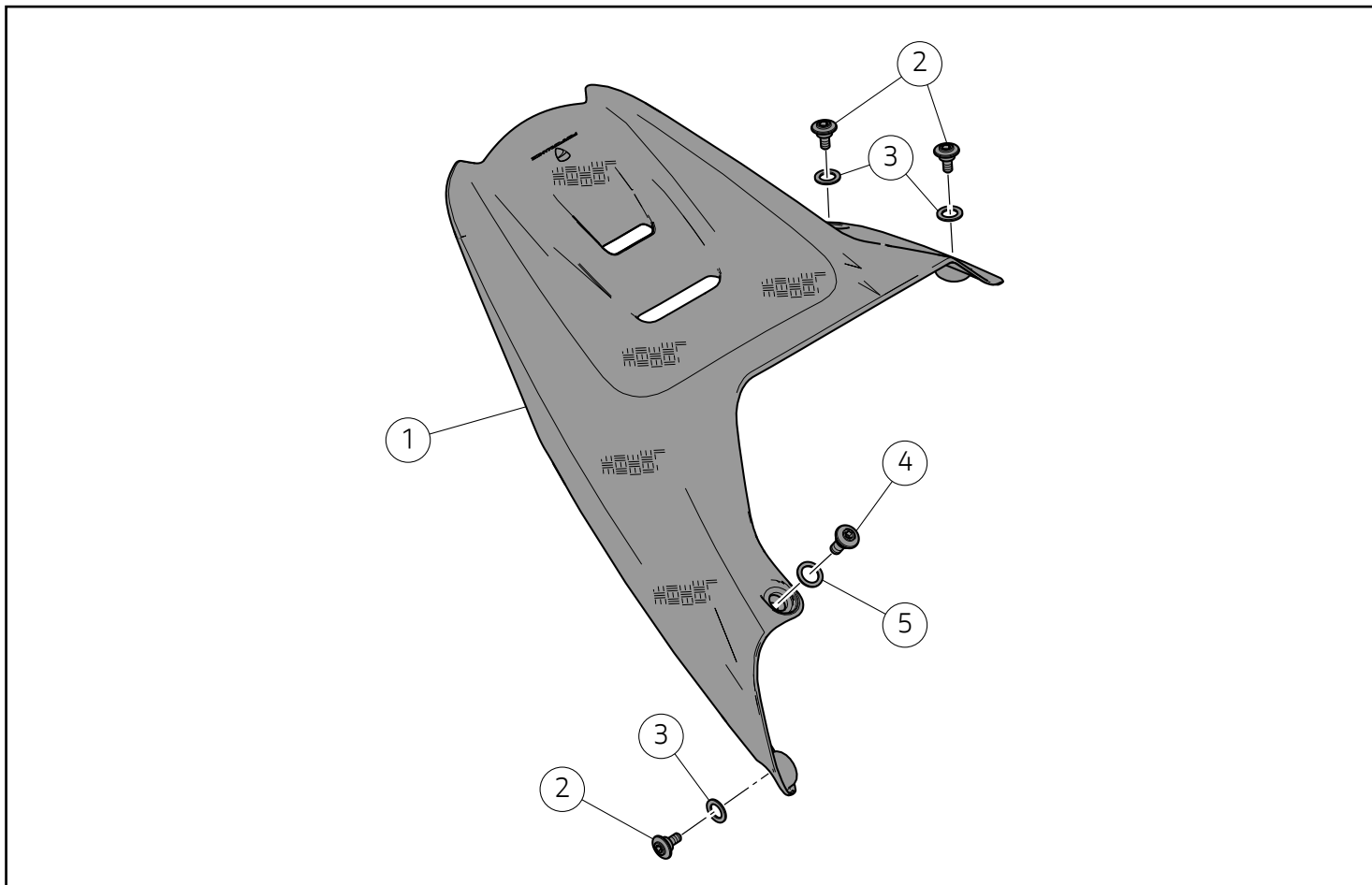
The Workshop Manual of your motorcycle model is the documentation required to assemble the Kit.

**Notes**

Should it be necessary to change any kit parts, please refer to the attached spare part table.

**Warning**

Operating, servicing and maintaining a passenger vehicle or off-highway motor vehicle can expose you to chemicals including engine exhaust, carbon monoxide, phthalates, and lead, which are known to the State of California to cause cancer and birth defects or other reproductive harm. To minimize exposure, avoid breathing exhaust, do not idle the engine except as necessary, service your vehicle in a well-ventilated area and wear gloves or wash your hands frequently when servicing your vehicle. For more information go to [www.P65Warnings.ca.gov/passenger-vehicle](http://www.P65Warnings.ca.gov/passenger-vehicle).



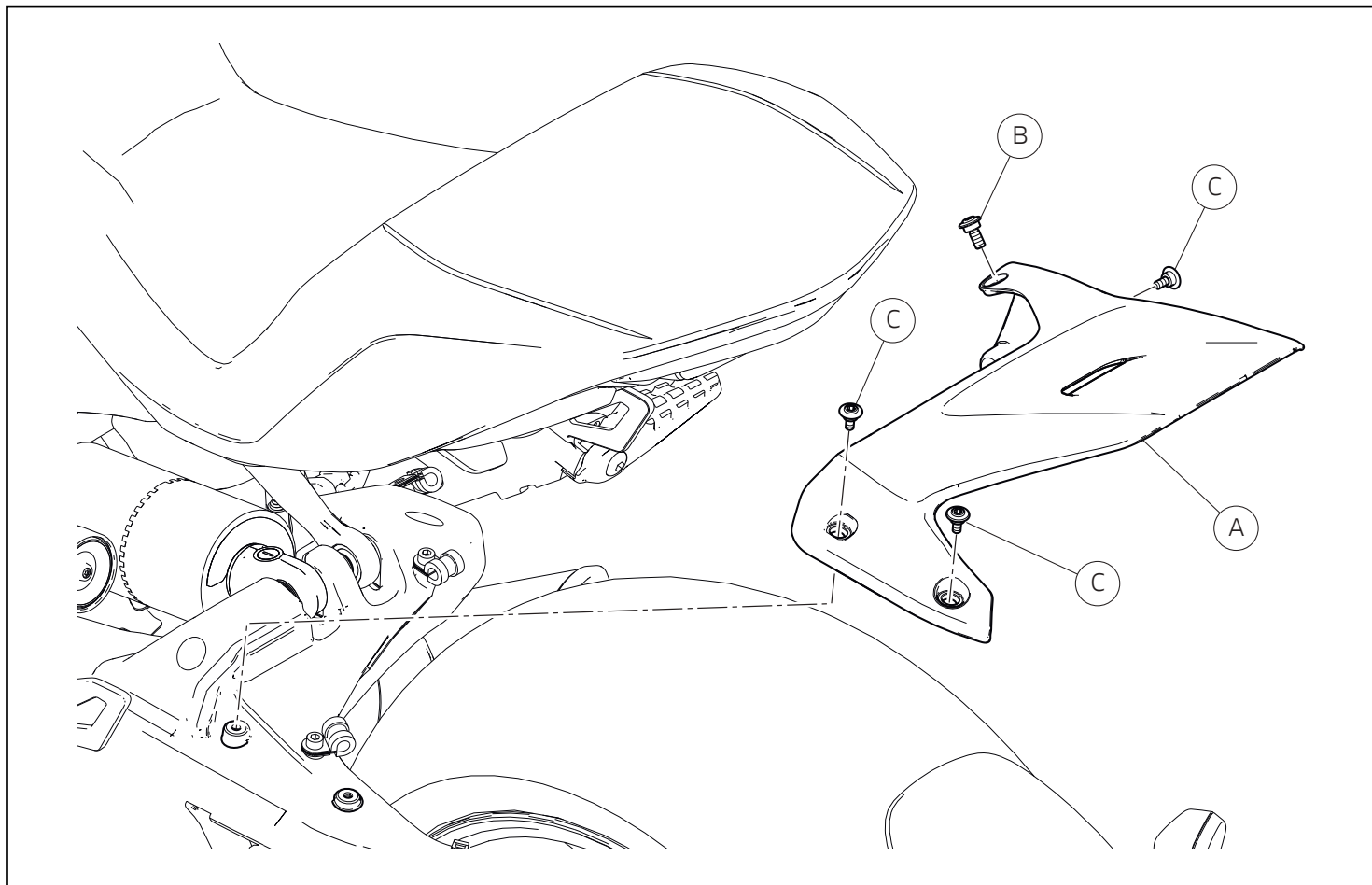
### Importante

Os componentes do conjunto podem sofrer atualizações; consulte o DCS (Dealer Communication System) a fim de obter informações sempre atualizadas.

### Important

The parts of the kit can be updated; for information always up to date, please refer to DCS (Dealer Communication System).

Pos.	Denominação	Name
1	Guarda-lamas traseiro	Rear mudguard
2	Parafuso de cabeça cilíndrica flangeada com sextavado interno M5x9	TCEIF screw M5x9
3	Arruela de nylon	Nylon washer
4	Parafuso de cabeça cilíndrica com sextavado interno M6x12	TCEI screw M6x12
5	Arruela de nylon	Nylon washer



### Desmontagem dos componentes originais

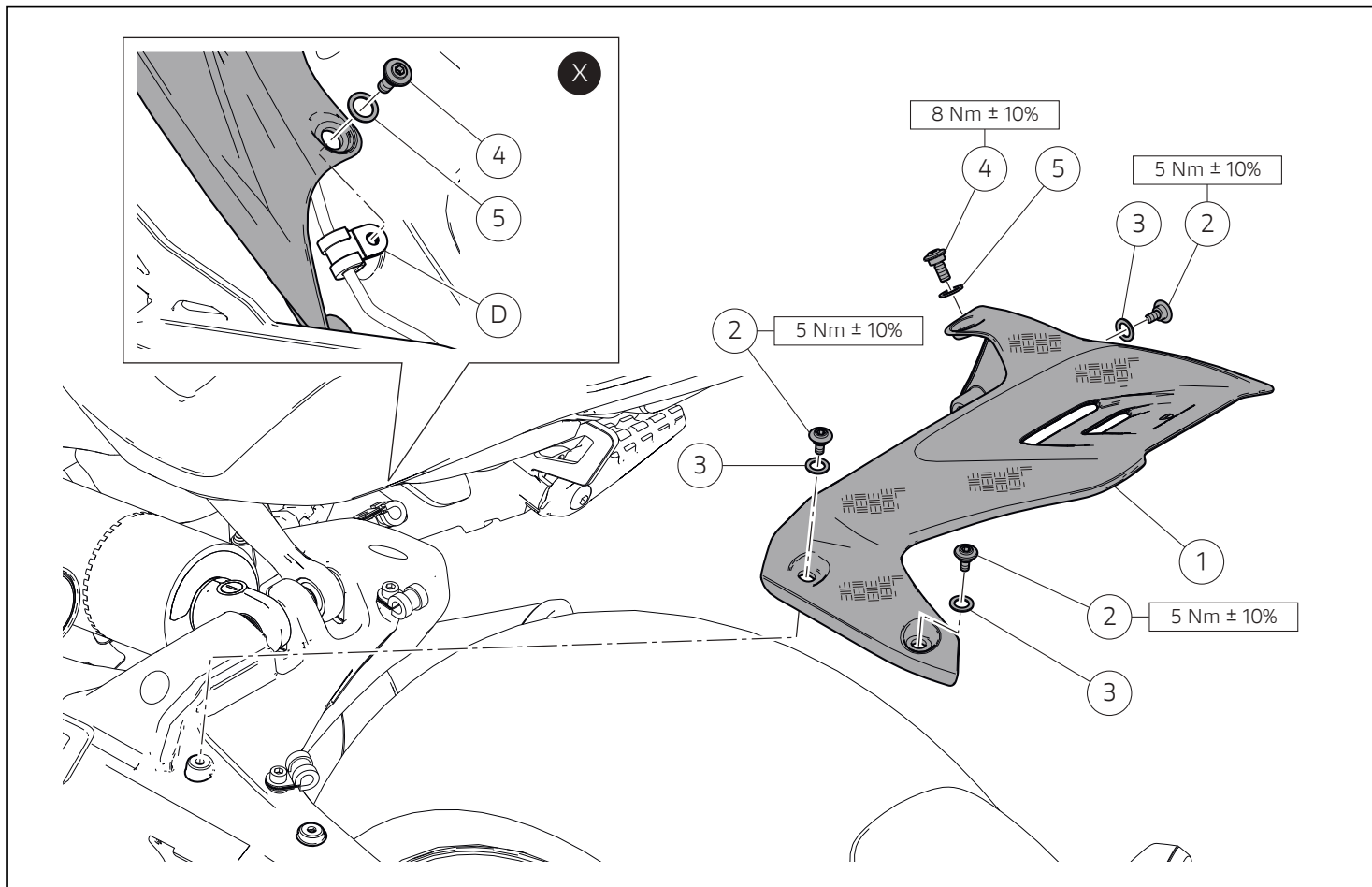
### Removing the original components

#### Desmontagem do guarda-lamas traseiro

#### Rear mudguard disassembly

Desatarraxe os 3 parafusos (C), o parafuso (B) e remova o guarda-lamas traseiro (A).

Loosen no.3 screws (C), screw (B) and remove rear mudguard (A).



## Montagem dos componentes do conjunto

### ● Importante

Verifique, antes da montagem, se todos os componentes estão limpos e em perfeito estado. Adote todas as precauções necessárias para evitar danificar qualquer peça com a qual deve trabalhar.

### ⚠ Atenção

Durante a montagem de componentes de carbono, preste especial atenção ao aperto dos parafusos de fixação. Aperte os elementos de fixação sem forçar excessivamente, a fim de evitar que o carbono seja danificado.

## Montagem do guarda-lamas traseiro

Posicione o guarda-lamas (1) como mostrado na figura. Encoste os 3 parafusos (2) precedidos pelas 3 anilhas em nylon (3). Encoste o parafuso (4) precedidos pelas anilhas em nylon (5).

### ● Importante

Insira o parafuso (4) prestando atenção para fixar também o guia de cabo (D), abaixo do guarda-lamas, como mostrado no quadro (X).

Aperte os 3 parafusos (2) e o parafuso (4) aos binários indicados.

## Kit part assembly

### ● Important

Before assembling, check that all parts are clean and in good conditions. Adopt all necessary precautions to avoid damaging any part you are working on.

### ⚠ Warning

When fitting carbon components, pay special attention to fastening screw tightening. Tighten the fastening elements without forcing excessively to avoid carbon damage.

## Rear mudguard assembly

Position mudguard (1) as shown in the figure. Start no.3 screws (2) by placing no.3 nylon washers (3) in-between. Start screw (4) by placing nylon washer (5) in-between.

### ● Important

Start screw (4) by making sure to secure also cable ring (D), under mudguard, as shown in the box (X).

Tighten no.3 screws (2) and screw (4) to the specified torque.

## Kit guardabarros trasero de carbono - 96981171A

カーボン製リアマッドガードキット- 96981171A

## Símbolos

Para que la lectura resulte más rápida y racional, se han utilizado símbolos que evidencian situaciones de máxima atención, consejos prácticos o simples informaciones. Prestar mucha atención al significado de los símbolos, porque su función es la de sustituir conceptos técnicos o advertencias de seguridad que no serán repetidos. Por lo tanto, deben considerarse verdaderos "recordatorios". Consultar siempre esta página en caso de dudas sobre su significado.

**Atención**

La inobservancia de las instrucciones puede originar situaciones de peligro y lesiones graves o mortales.

**Importante**

Indica la posibilidad de dañar el vehículo y/o sus componentes si no se observan las instrucciones.

**Notas**

Suministra información útil sobre la operación en curso.

## Referencias

Las partes resaltadas en gris y la referencia numérica (Por ej. ①) representan el accesorio que se debe instalar y los demás componentes de montaje suministrados en el kit.

Las partes con referencia alfabética (Por ej. A) representan los componentes originales instalados en la motocicleta.

Todas las indicaciones derecho o izquierdo se refieren al sentido de marcha de la motocicleta.

## Advertencias generales

**Atención**

Las operaciones indicadas en las páginas siguientes debe realizarlas un técnico especializado o un taller autorizado Ducati.

**Atención**

Las operaciones descritas en las siguientes páginas deben realizarse correctamente para no perjudicar la seguridad del piloto.

**Notas**

El documento necesario para realizar el montaje del Kit es el Manual de Taller del modelo de moto que poseen.

**Notas**

Si fuera necesario sustituir un componente del kit, consultar la tabla de recambios adjunta.

## シンボル

素早くかつ合理的に読み進めることができるように、本マニュアルではいくつかのシンボルを導入し、最大限の注意を払う必要がある状況や、推奨事項、または一般情報を明確にしています。技術的概念や安全に関する警告を繰り返し記載する必要がないように機能しているので、各シンボルの意味に十分注意してください。シンボルは、実際上の“覚え書き”であると考えてください。シンボルなどの意味がわからなくなったり疑問に思う場合は、必ずこのページで調べるようにしてください。

**警告**

この説明を遵守しなかった場合、重度の負傷および死亡に至る危険性があります。

**重要**

記載されている内容が遵守されない場合、車両および車両部品を損傷するおそれがあることを示しています。

**参考**

実施中の作業について役に立つ情報を提供します。

## 詳細

灰色で表示され、参照番号（例：①）で示す部品は、キットに付属する取り付け部品および組み立て部品を示します。

参照アルファベット（例：A）で示す部品は、車両に付属するオリジナル部品を示します。

右または左という表記は、すべて車両の進行方向に向かっての左右を意味します。

## 一般警告事項

**警告**

以下のページに記載されている作業は、専門の技術者、またはドゥカティ正規サービスセンターが実施しなければなりません。

**警告**

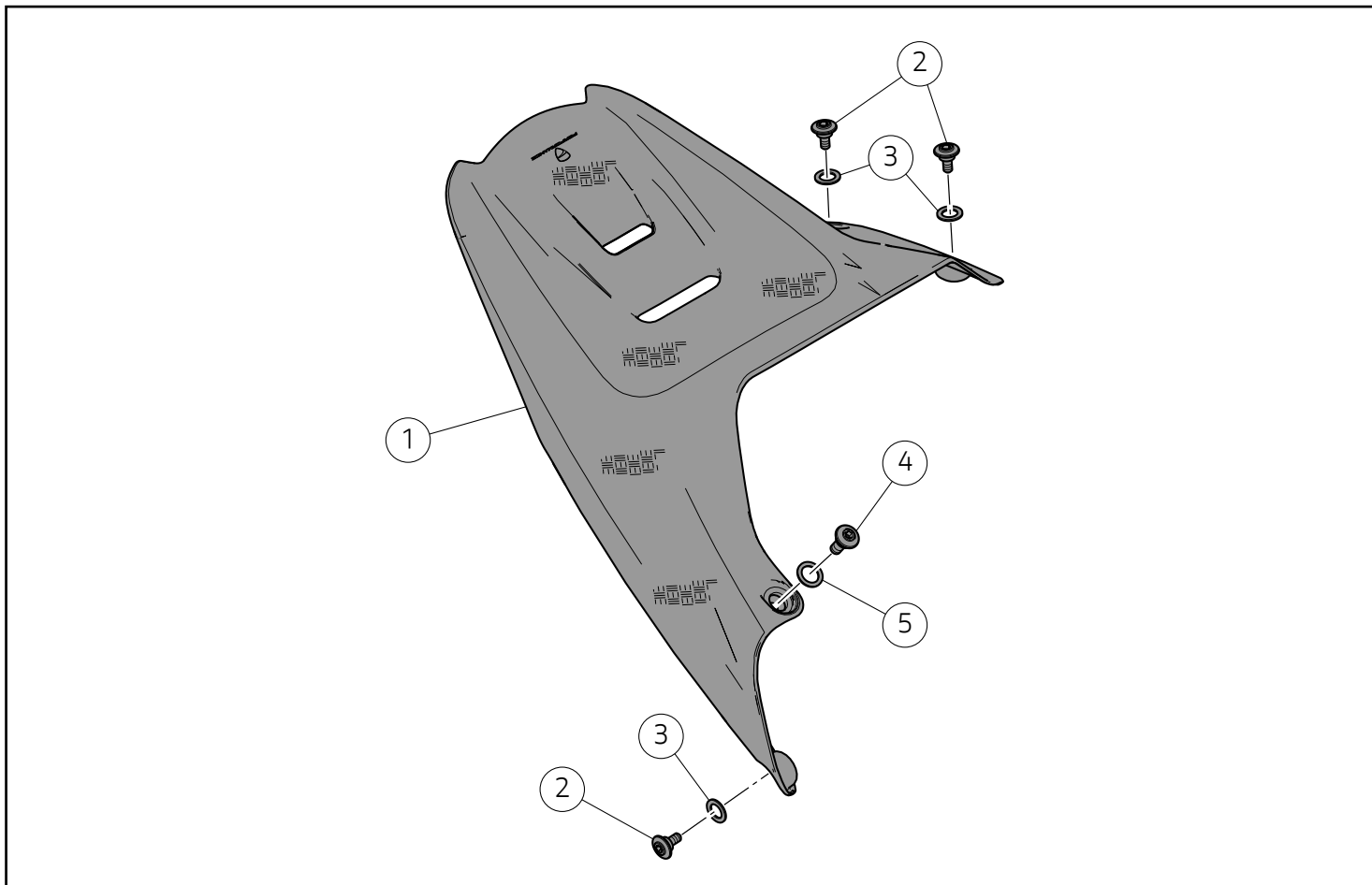
以下のページに記載されている作業が規定通りに実施されないと、ライダーの安全性を脅かすおそれがあります。

**参考**

キットの取り付けに必要な資料は、お手持ちの車両モデルに対応するワークショップマニュアルです。

**参考**

キットの部品を交換する必要がある場合は、添付のスペアパーツ表を参照してください。



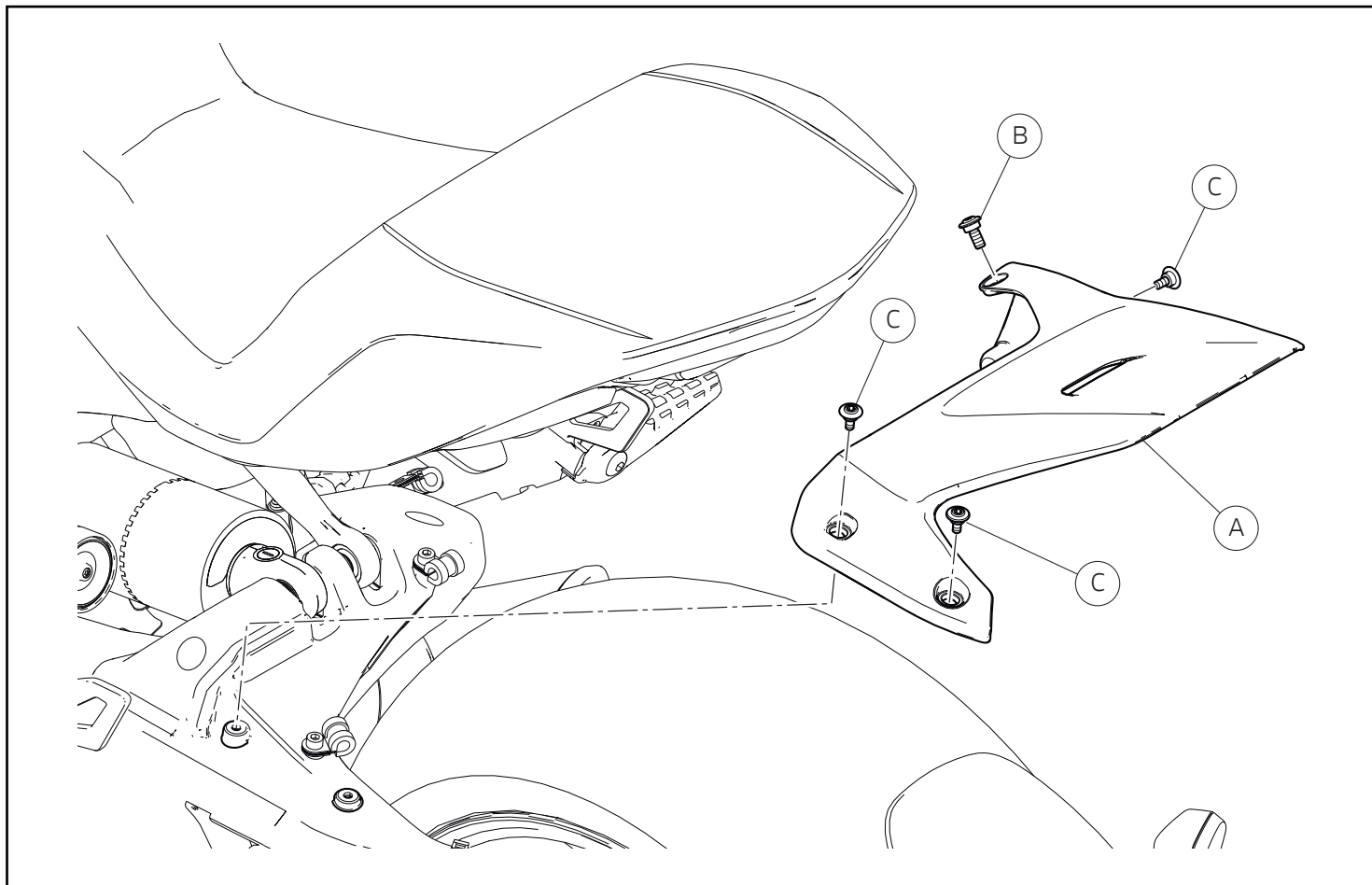
### ● Importante

Es posible que los componentes del kit sean actualizados; consultar el DCS (Dealer Communication System) para tener información siempre al día.

### ● 重要

キットの構成部品は更新されることがあります。DCS (Dealer Communication System) から常に最新の情報をチェックするようにしてください。

Pos.	Denominación	名称
1	Guardabarros trasero	リアマッドガード
2	Tornillo TCEIF M5x9	スクリュー TCEIF M5x9
3	Arandela de nylon	ナイロンワッシャー
4	Tornillo TCEI M6x12	スクリュー TCEI M6x12
5	Arandela de nylon	ナイロンワッシャー



## Desmontaje componentes originales

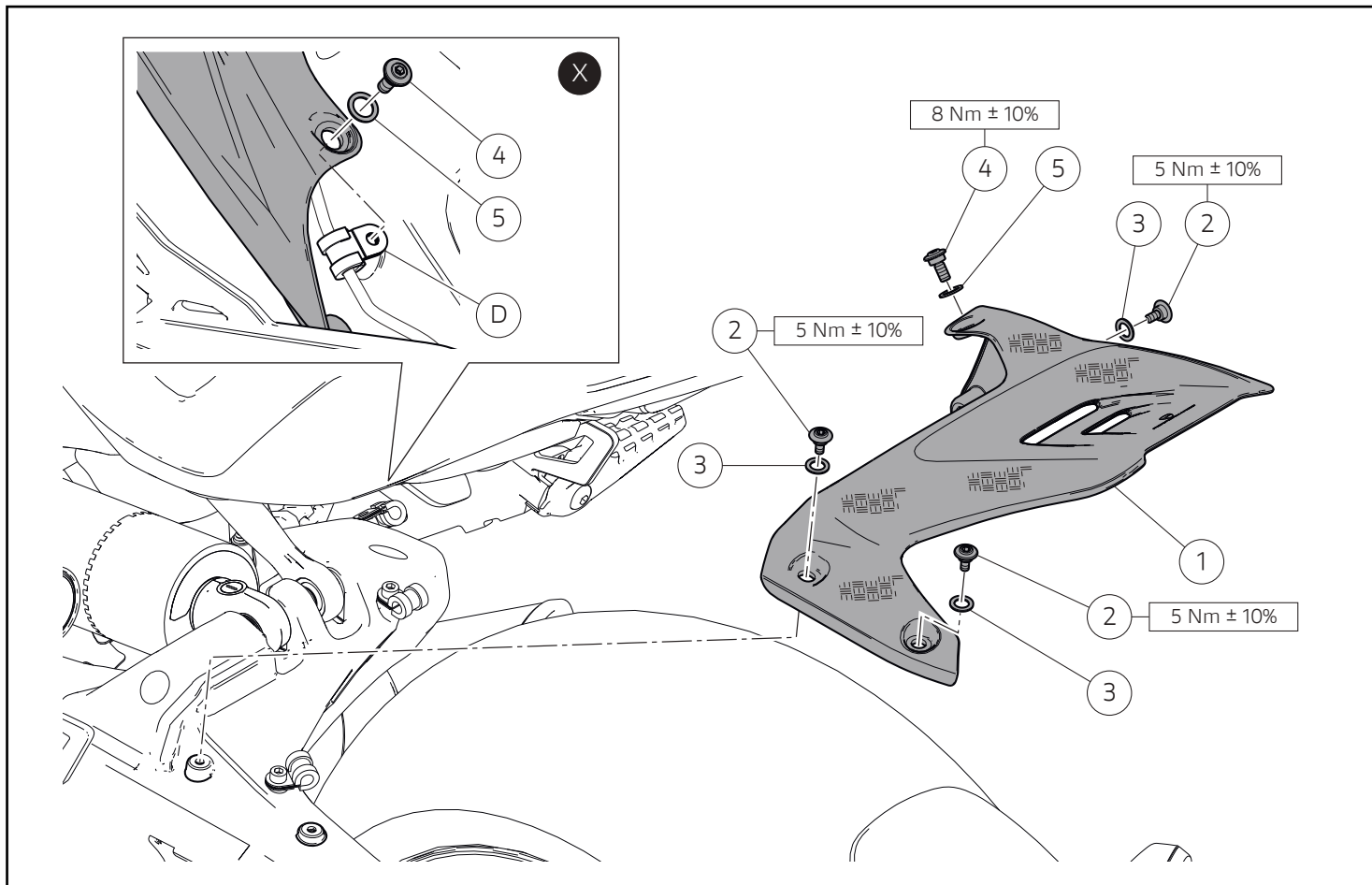
### Desmontaje guardabarros trasero

Desatornillar los 3 tornillos (C), el tornillo (B) y quitar el guardabarros trasero (A).

## オリジナル構成部品の取り外し

### リアマッドガードの取り外し

3本のスクリュー (C)、スクリュー (B) を緩めて外し、リアマッドガード (A) を取り外します。



## Montaje componentes kit

### ● Importante

Antes del montaje, comprobar que todos los componentes se encuentren limpios y en perfecto estado. Adoptar todas las precauciones necesarias para evitar dañar cualquier parte en la que se debe operar.

### ⚠ Atención

Durante el montaje de componentes de carbono es necesario prestar especial atención al ajuste de los tornillos de fijación. Ajustar los elementos de fijación sin forzar demasiado para evitar dañar el carbono.

## Montaje guardabarros trasero

Colocar el guardabarros (1) como ilustra la figura. Introducir los 3 tornillos (2) anteponiendo a estos, las 3 arandelas de nylon (3). Introducir el tornillo (4) anteponiendo la arandela de nylon (5).

### ● Importante

Introducir el tornillo (4) prestar atención a fijar también el pasacable (D), debajo del guardabarros, como se ilustra en el recuadro (X).

Ajustar los 3 tornillos (2) y el tornillo (4) a los pares de apriete indicados.

## キット部品の取り付け

### ● 重要

取り付けの前に全ての部品に汚れがなく、完璧な状態であることを確認してください。作業する部分が破損しないように、必要なすべての予防措置を講じてください。

### ⚠ 警告

カーボン製部品の取り付け作業中は、固定スクリューの締め付けには特に注意してください。カーボンが破損しないよう、固定部品の締め付けには必要以上の力をかけないようにしてください。

## リアマッドガードの取り付け

マッドガード (1) を図のように配置します。3 本のスクリュー (2) を差し込み、3 個のナイロン製ワッシャー (3) をその前に配置します。スクリュー (4) を差し込み、ナイロン製ワッシャー (5) をその前に配置します。

### ● 重要

スクリュー (4) を差し込みます。この時、枠 (X) 内に示す通り、マッドガード下のケーブルガイド (D) も固定するようにしてください。

3 本のスクリュー (2) およびスクリュー (4) を規定のトルクで締め付けます。



# レース専用部品 ご注文書

## ご注文商品

1	P/N	商品名
2	P/N	商品名
3	P/N	商品名
4	P/N	商品名
5	P/N	商品名

## お客様ご記入欄

私は上記レース専用部品を下記車両に装着し、サーキット走行のみに利用し、一般公道には利用しません。

車台番号 ZDM モデル名

お客様署名 ご注文日

## ドウカティ正規ネットワーク店記入欄

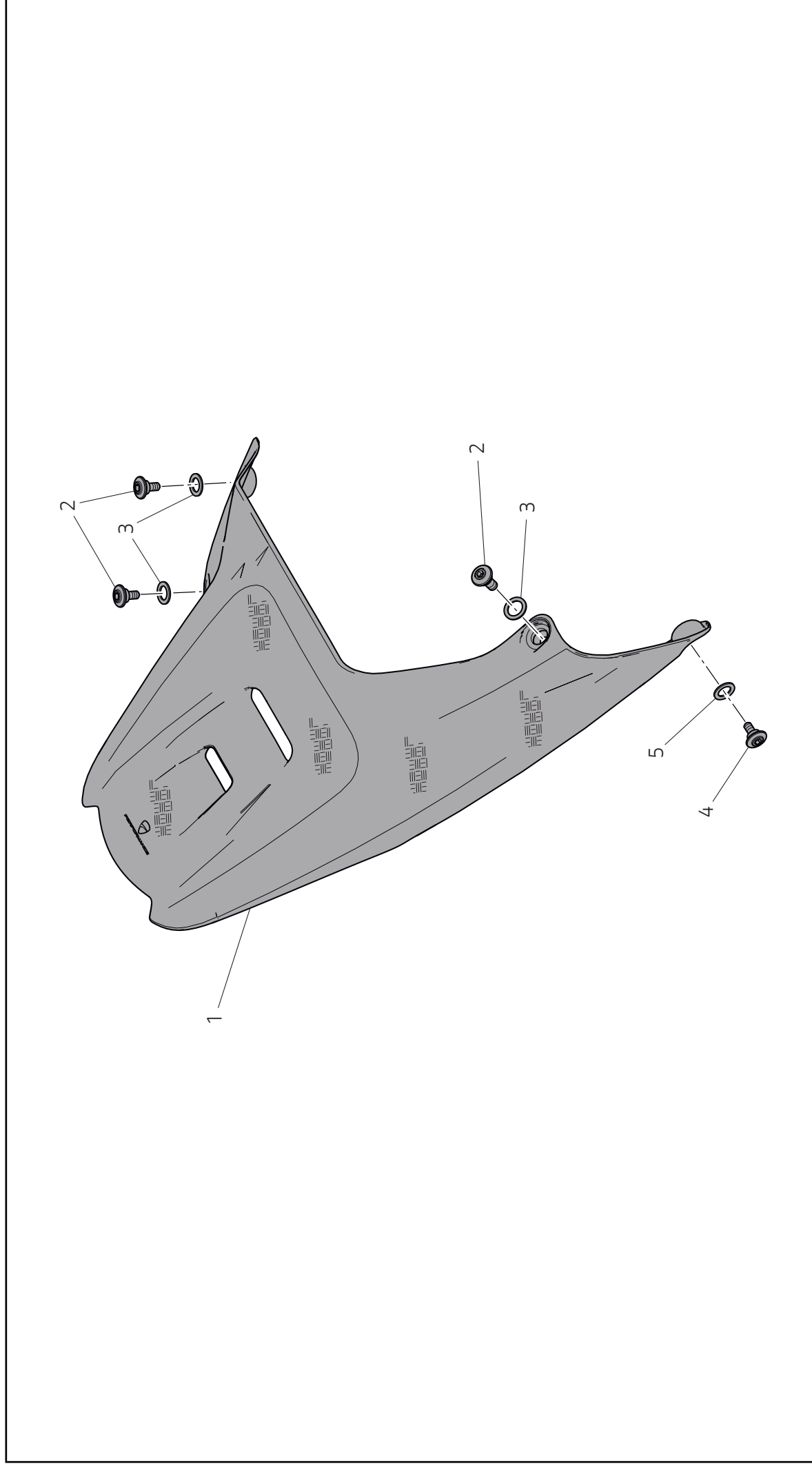
お客様に上記レース専用部品を販売し、レース専用部品のご利用方法を説明いたしました。

販売店署名 販売日 年 月 日

販売店様へお願い

- 上記ご記入の上、弊社アフターセールス部までFAXしてください。FAX : 03 - 6692 - 1317
- 取り付け車両 1台に 1枚でご使用ください。

Kit parafango posteriore in carbonio / Carbon rear mudguard kit / Kit garde-boue arrière en carbone / Kit Hinterer Kotflügel aus Kohlefaser  
/ Kit do guarda-lamas traseiro em carbono / Kit guardabarros trasero de carbono / カーボン製リアマッドガードキット - 9698171A



Pos.	Art.-Nr.	Denominazione	Description	Designation	Bezeichnung	Descrição	Denominación	説明	Q.ty
1	96911991AA	Parafango posteriore	Rear mudguard	Garde-boue arrière	Hinterer Kotflügel	Guarda-lamas traseiro	Guardabarros trasero	リアマッドガード	1
2	77214411BA	Vite TCEIF M5x9	TCEIF screw M5x9	Vis TCHCF M5x9	Zylinderschraube mit Innensechskant und Flansch M5x9	Parafuso de cabeça cilíndrica flangeada com sextavado interno M5x9	Tornillo TCEIF M5x9	スクリュー TCEIF M5x9	3
3	85212181A	Rosetta in nylon	Nylon washer	Rondelle en nylon	Nylon-Unterlegscheibe	Arruela de nylon	Arandela de nylon	ナイロンワッシャー	3
4	77211261B	Vite TCEI M6x12	TCEI screw M6x12	Vis TCHC M6x12	Zylinderschraube mit Innensechskant M6x12	Parafuso de cabeça cilíndrica com sextavado interno M6x12	Tornillo TCEI M6x12	スクリュー TCEI M6x12	1
5	85611271A	Rosetta in nylon	Nylon washer	Rondelle en nylon	Nylon-Unterlegscheibe	Arruela de nylon	Arandela de nylon	ナイロンワッシャー	1